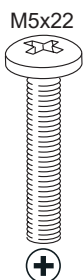
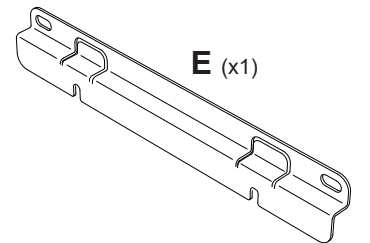
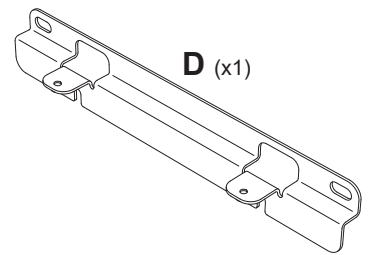
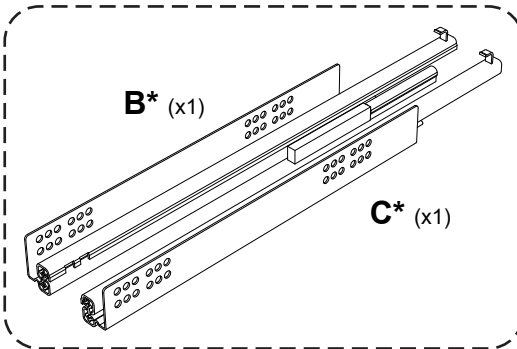
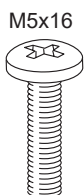


**\* NOT INCLUDED**



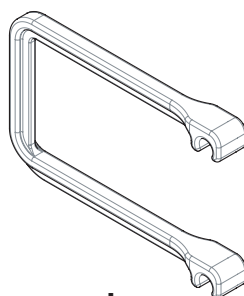
**F (x4)**



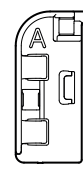
**G (x6)**



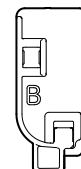
**H (x12)**



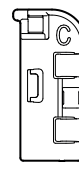
**I (x8)**



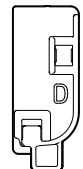
**J (x1)**



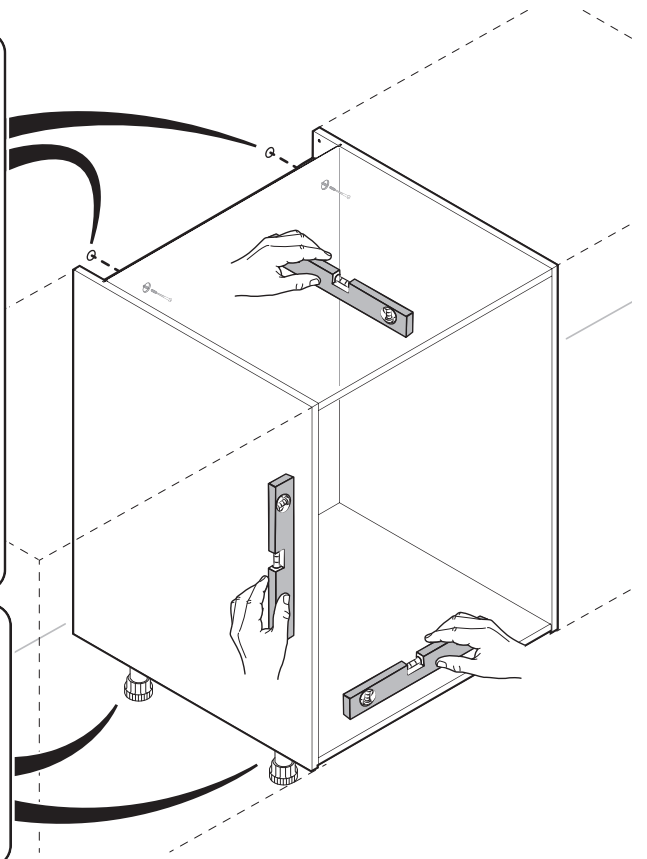
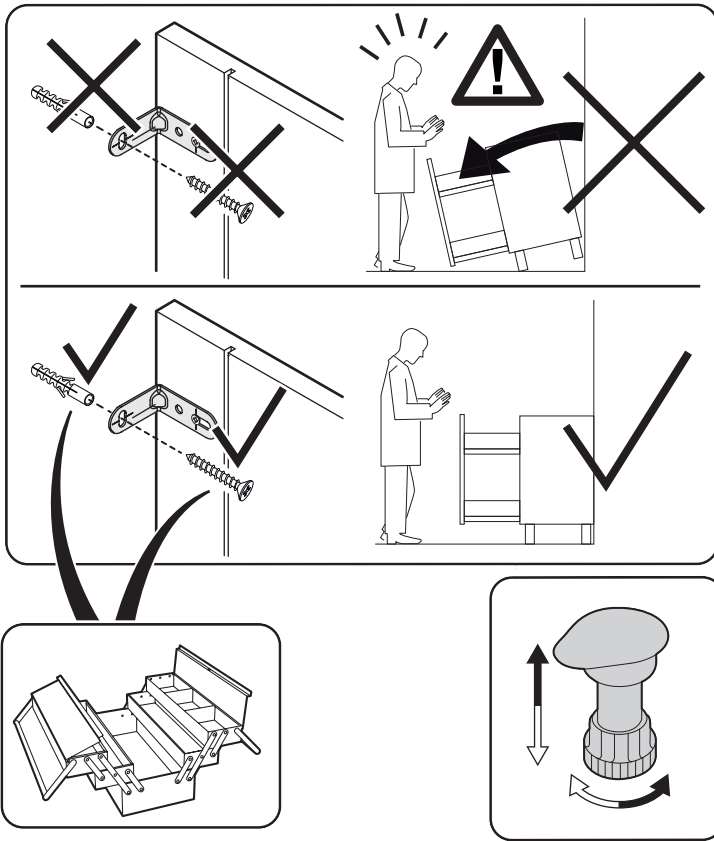
**K (x1)**



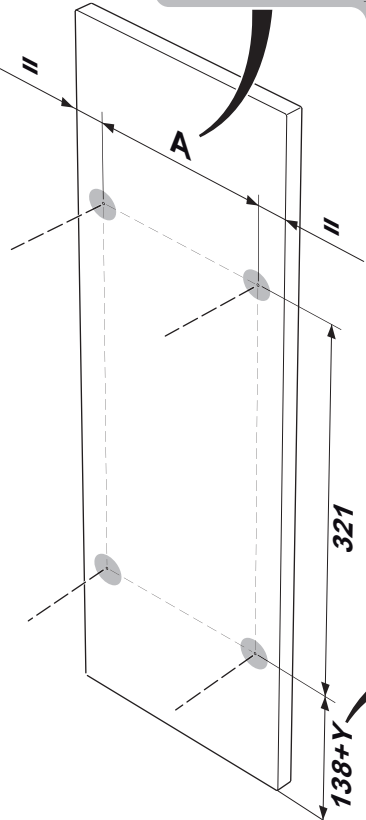
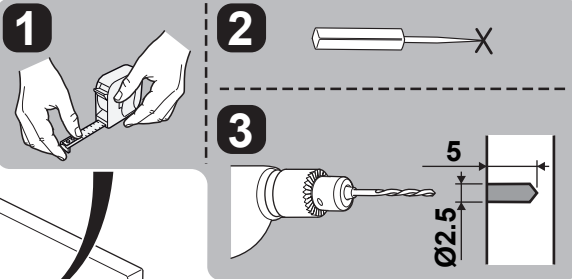
**L (x1)**



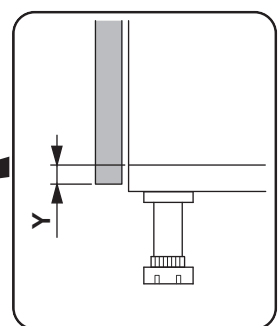
**M (x1)**



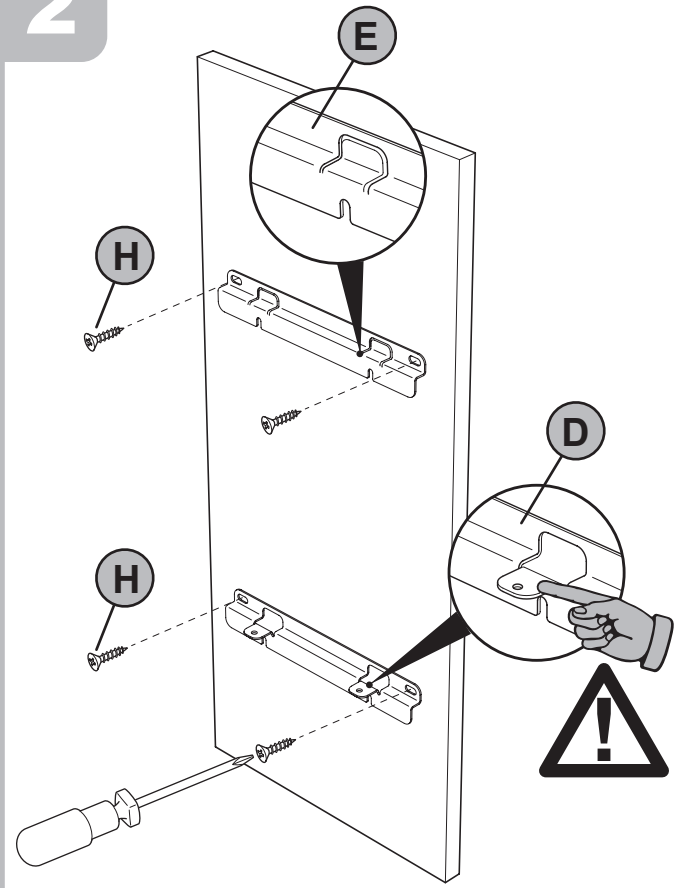
1



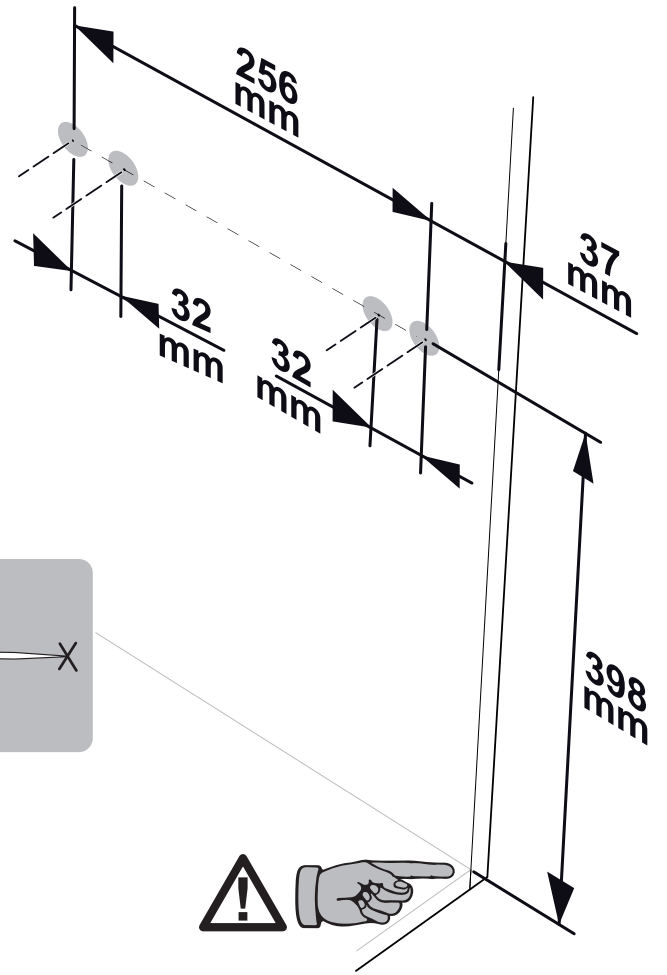
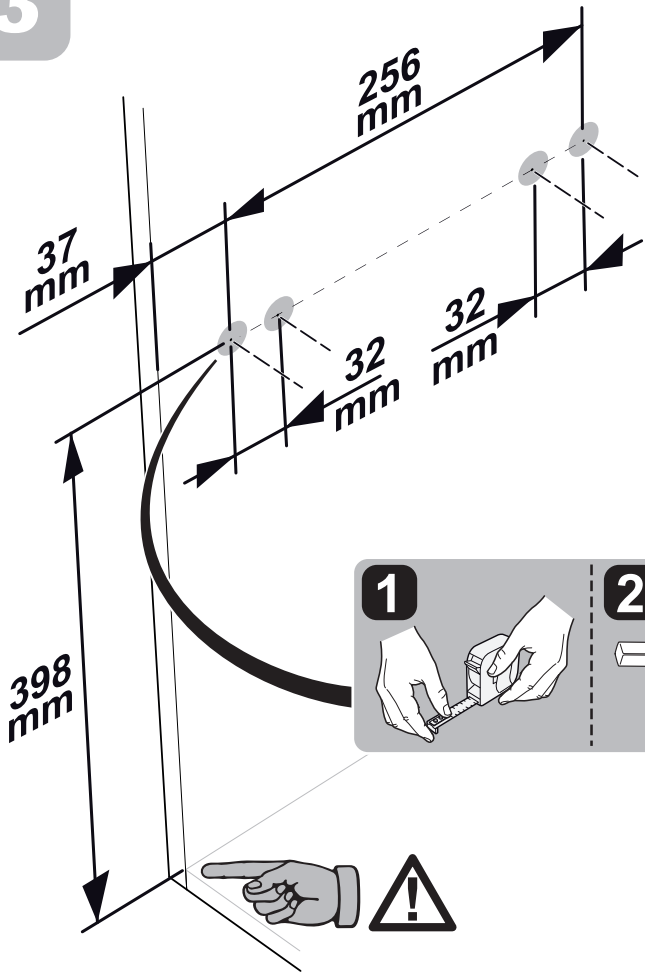
L	300	400
A	210	310



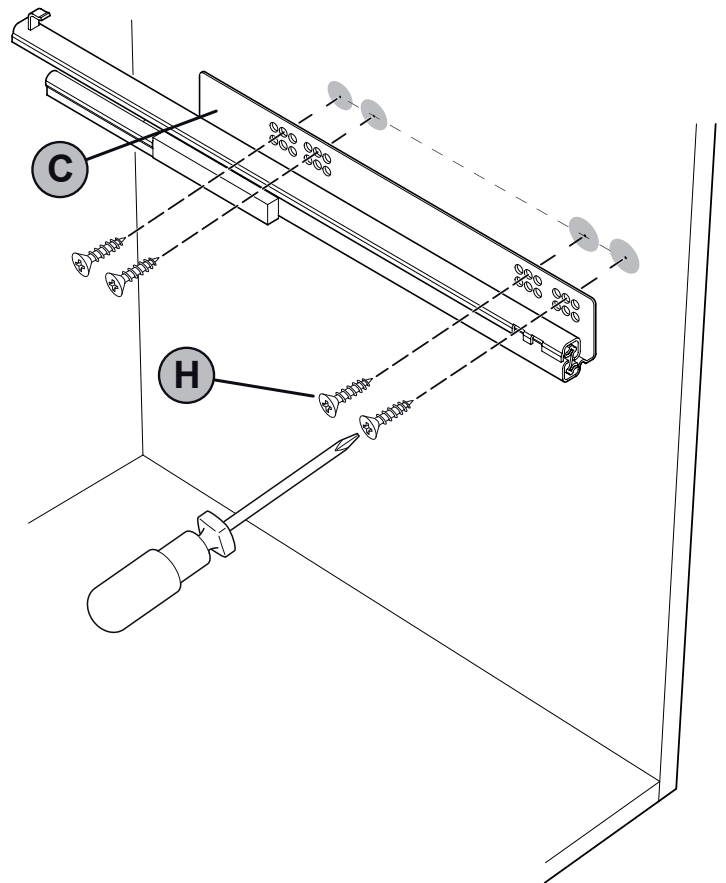
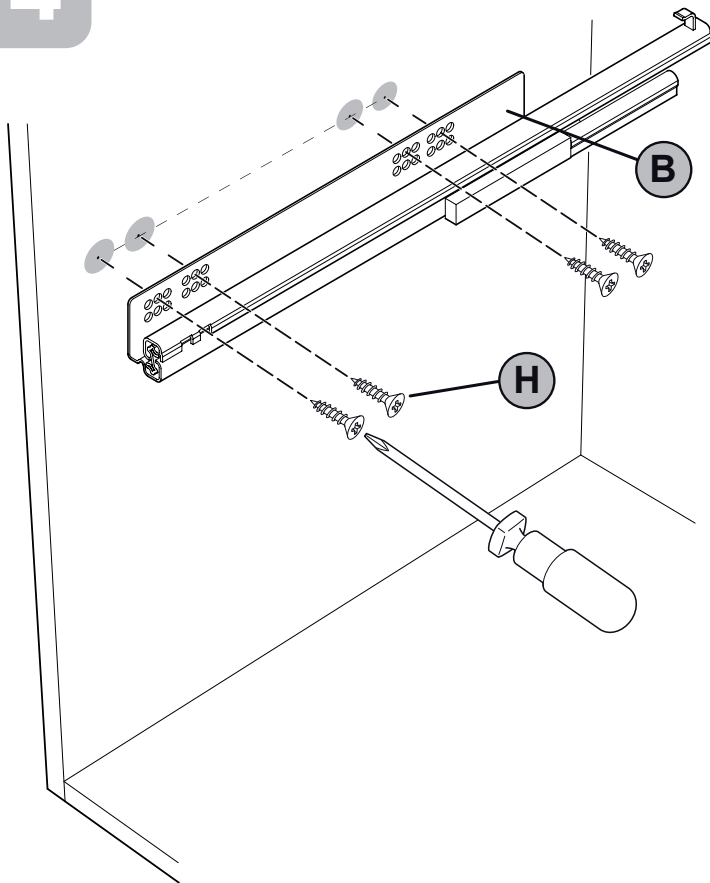
2



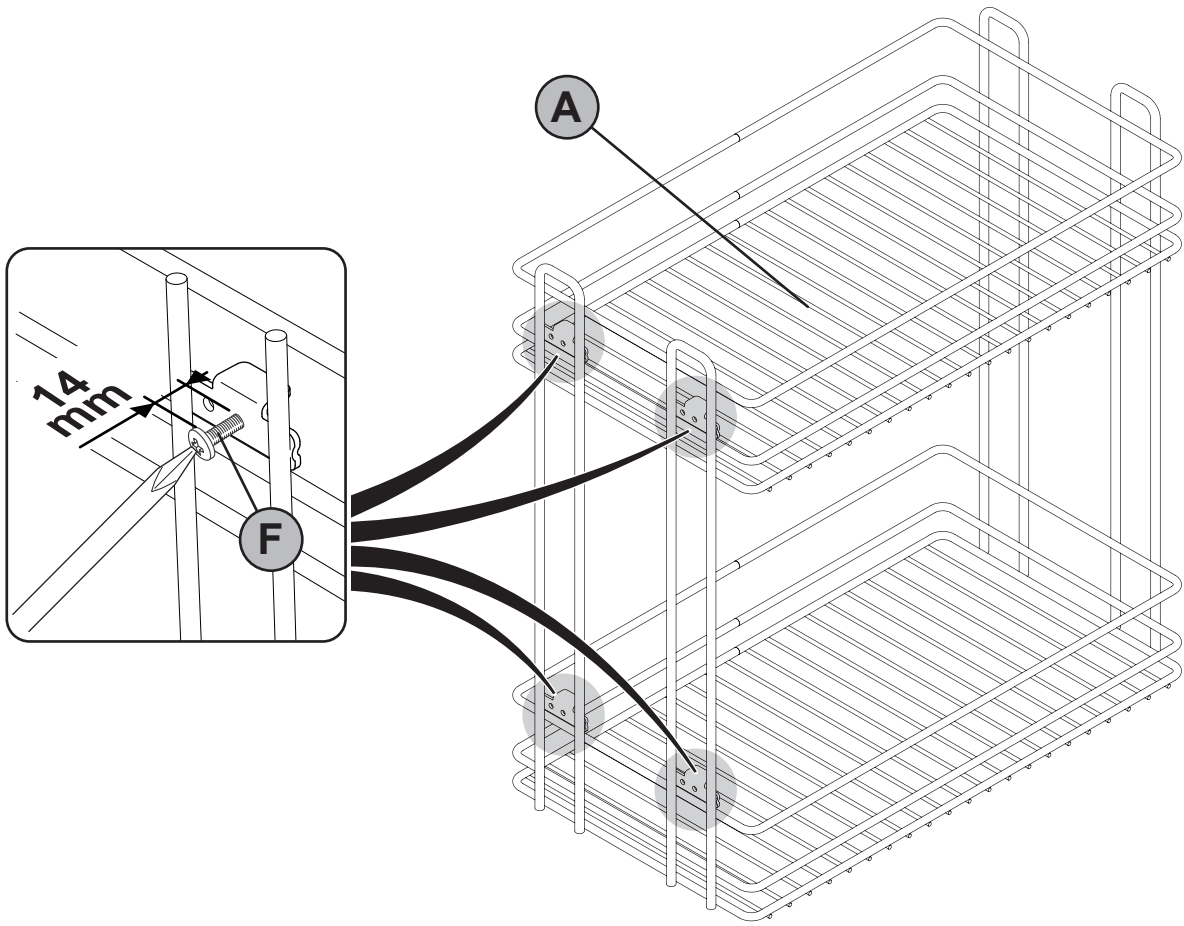
3



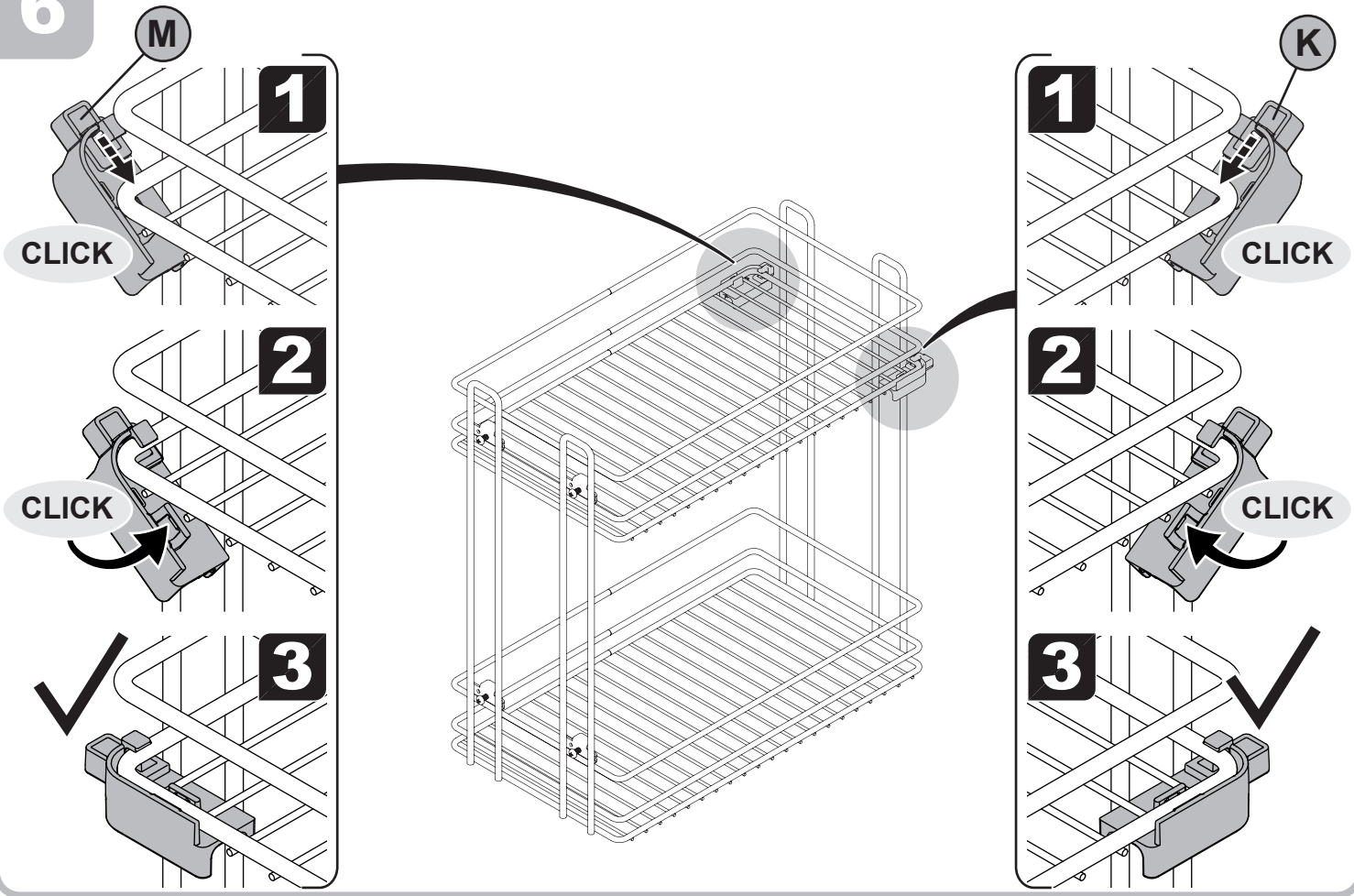
4



5

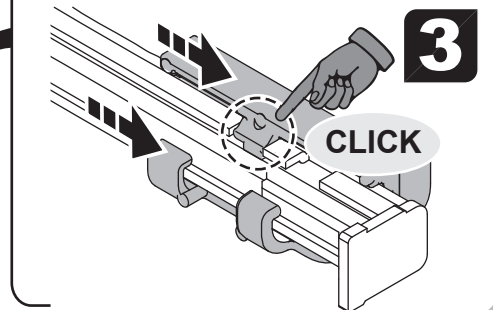
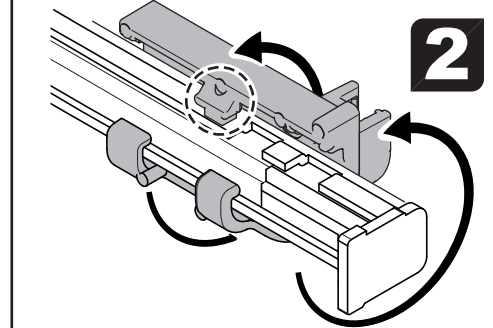
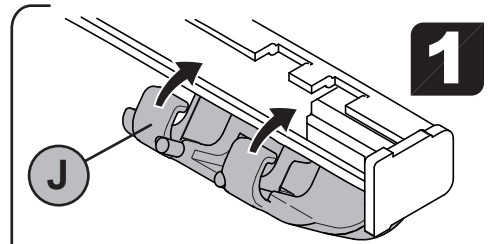
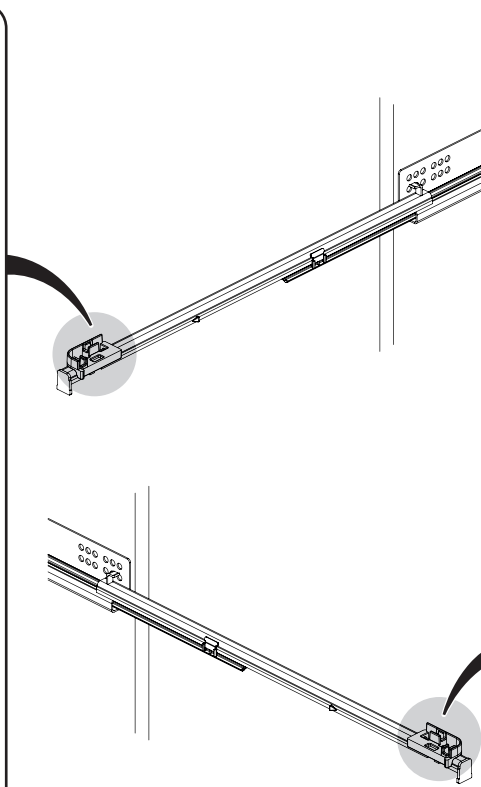
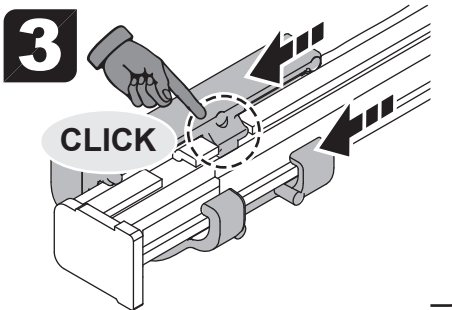
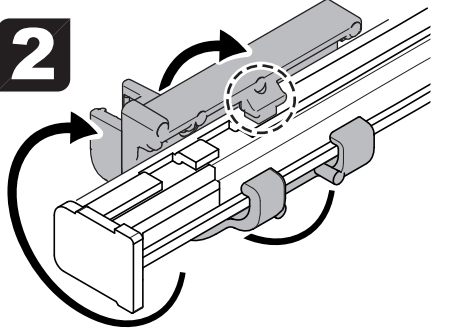
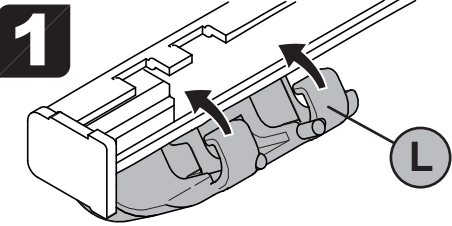


6

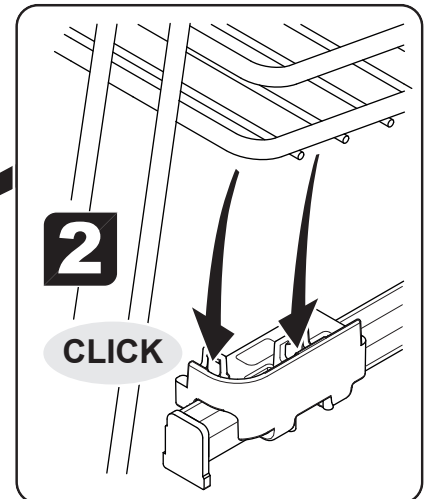
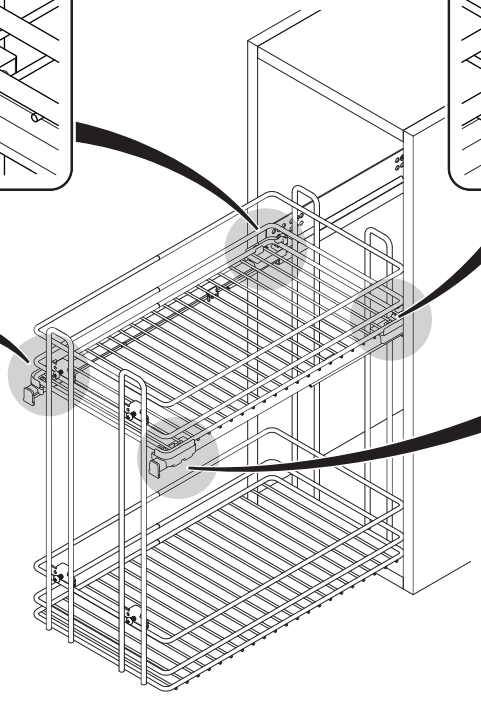
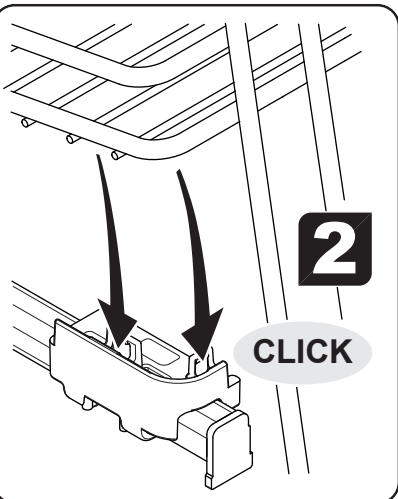
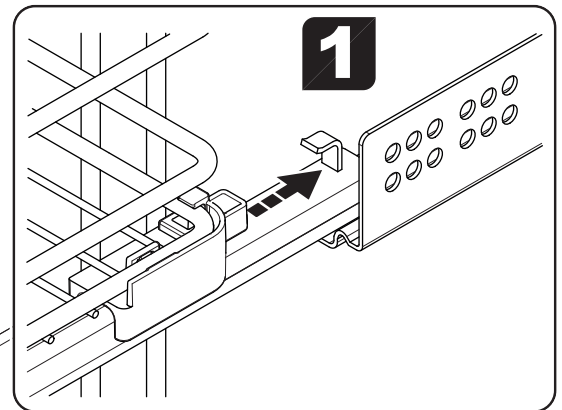
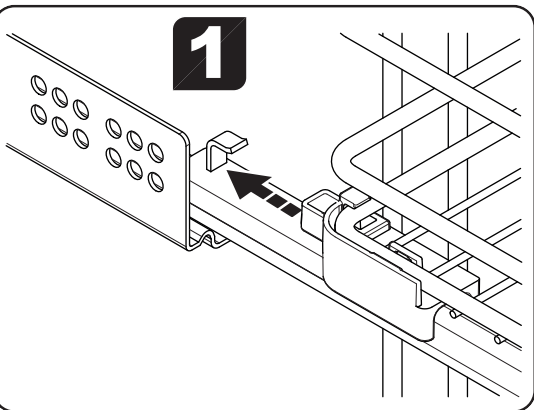


4

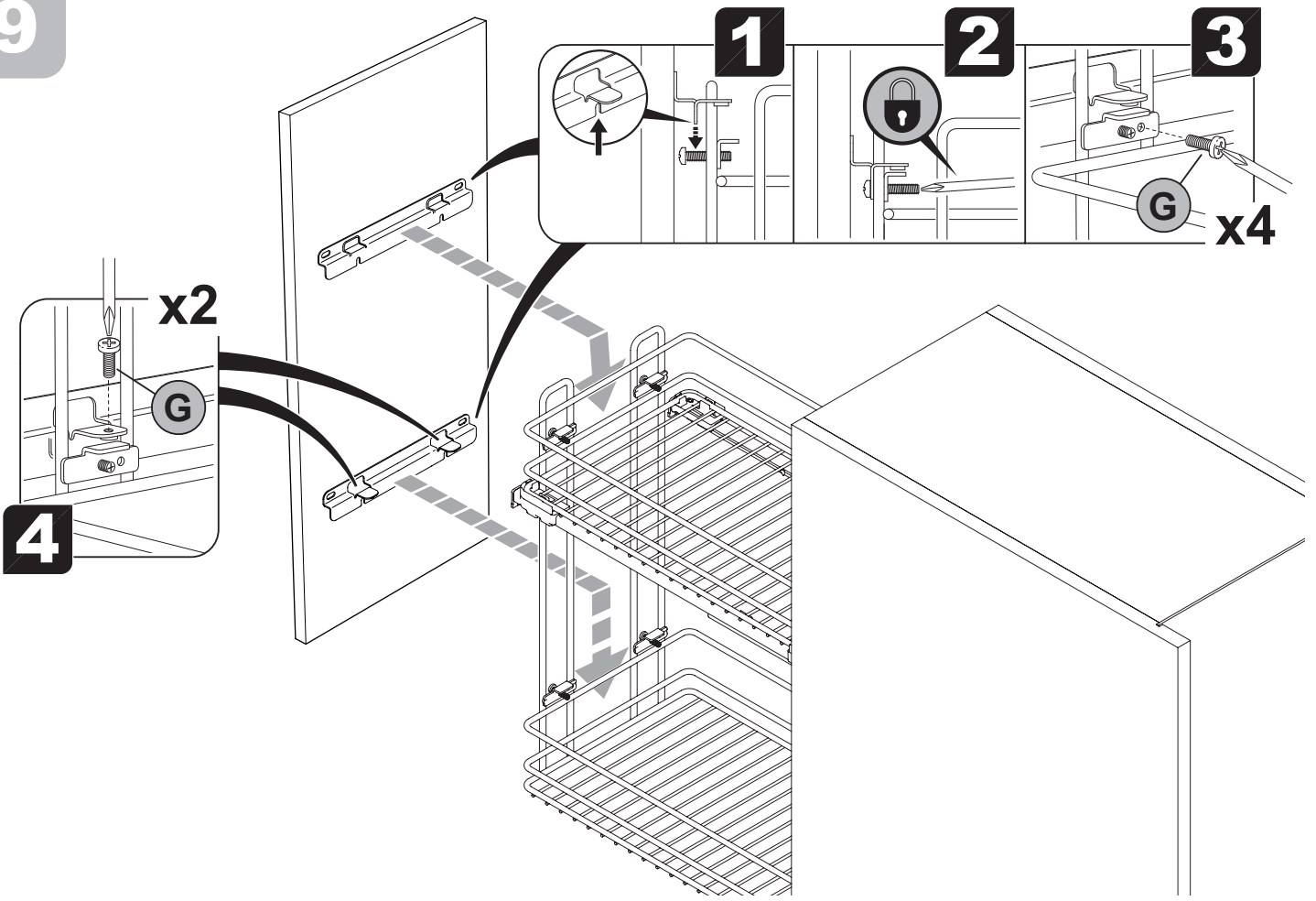
7



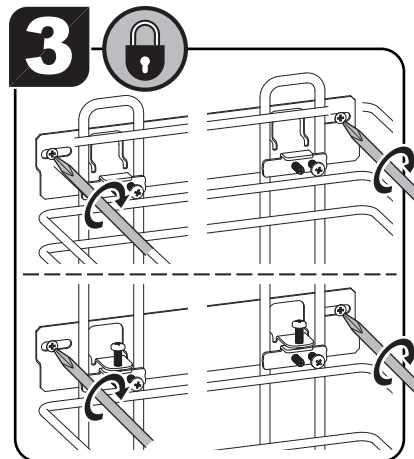
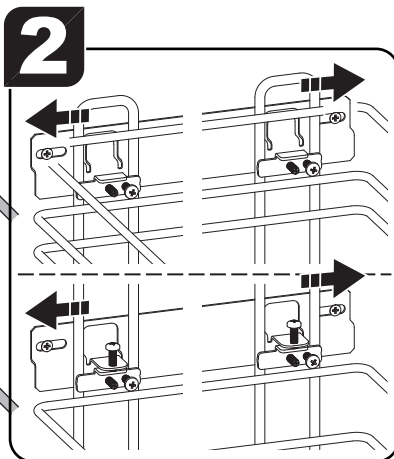
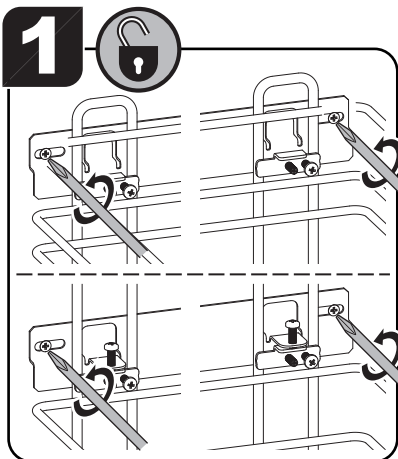
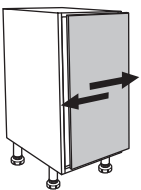
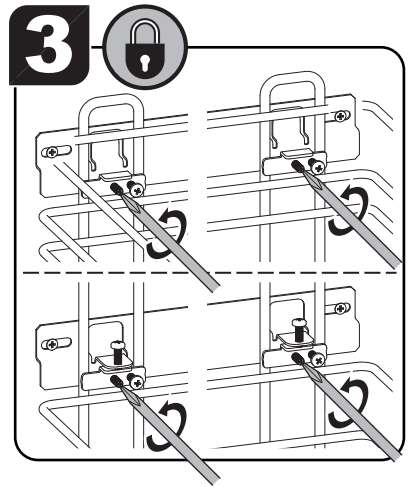
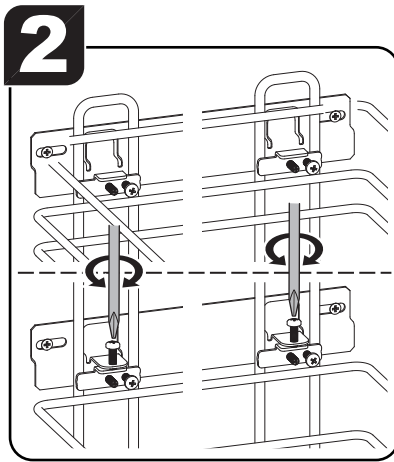
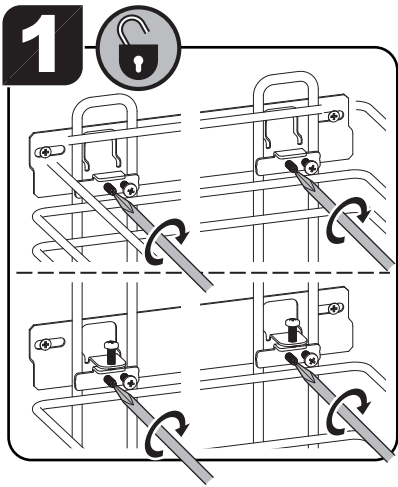
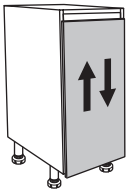
8

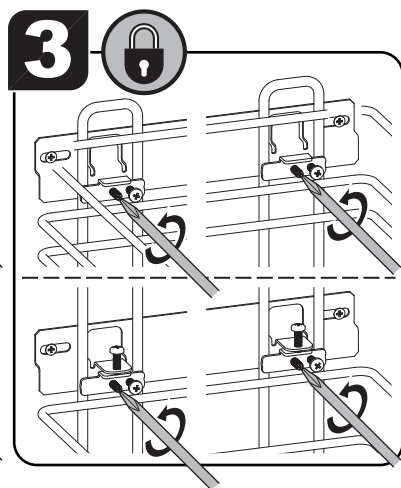
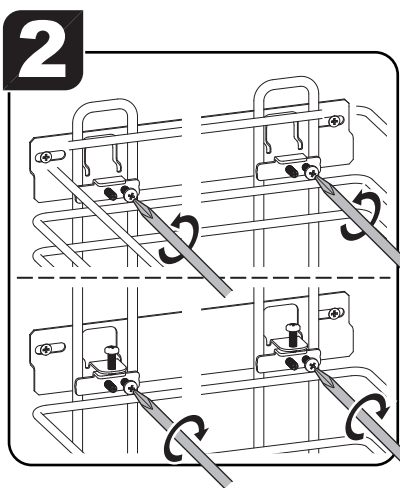
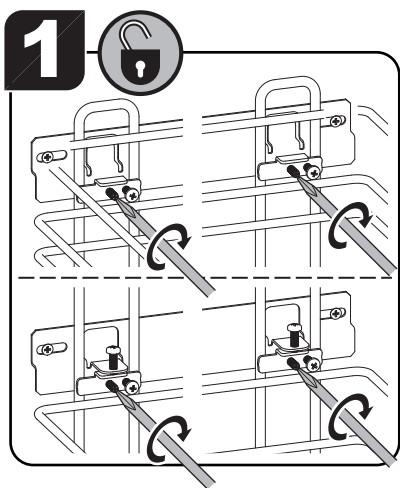
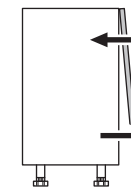
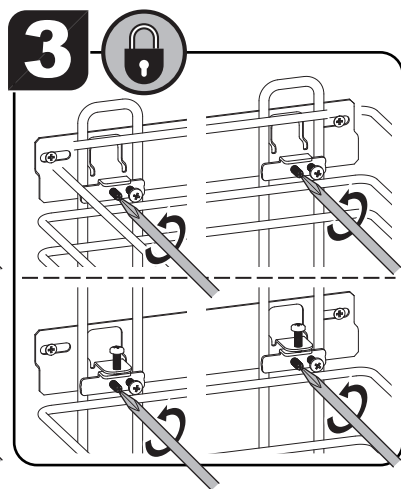
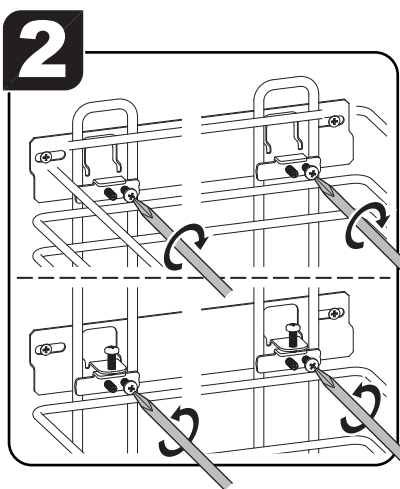
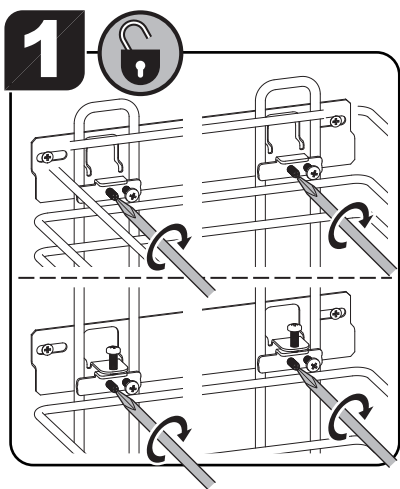
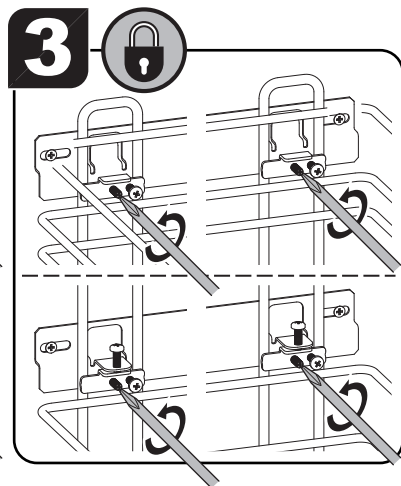
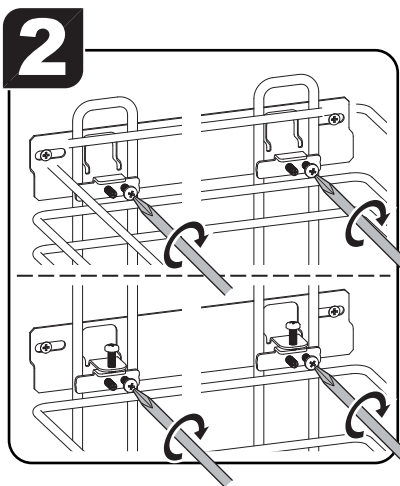
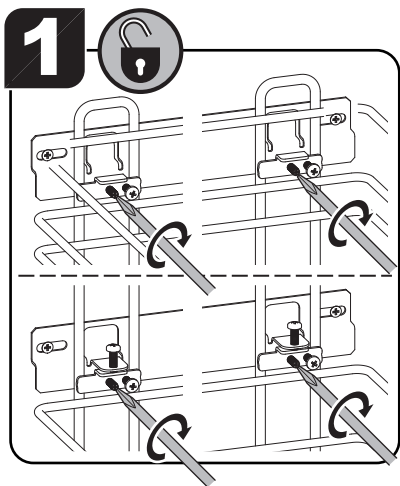
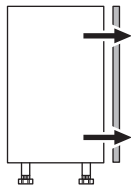
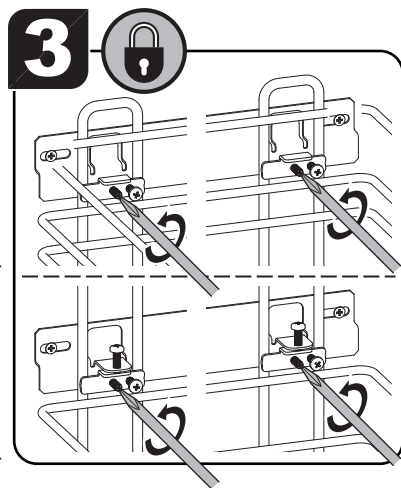
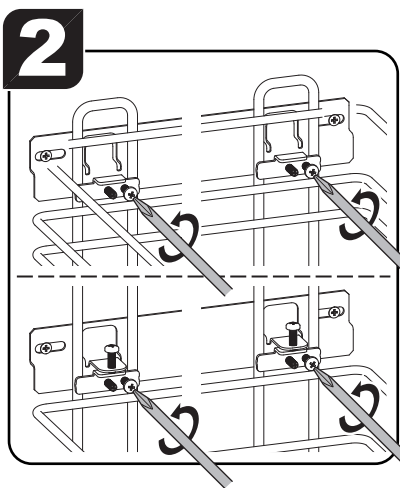
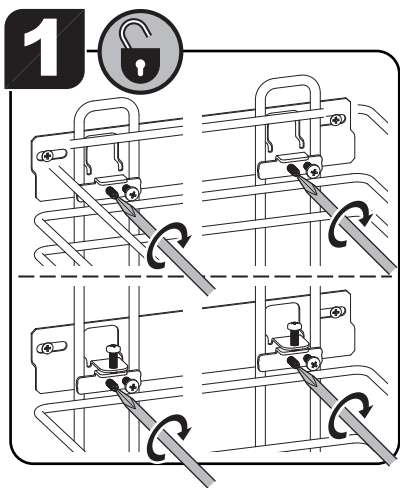
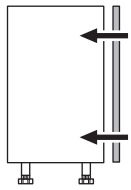


9

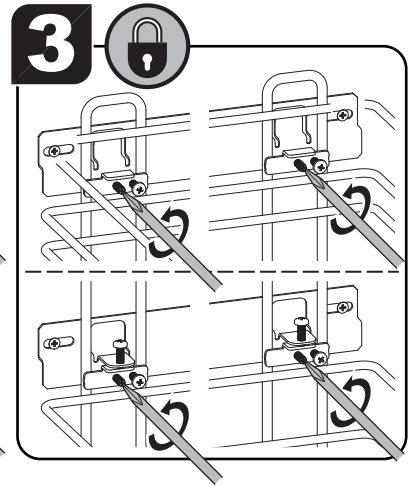
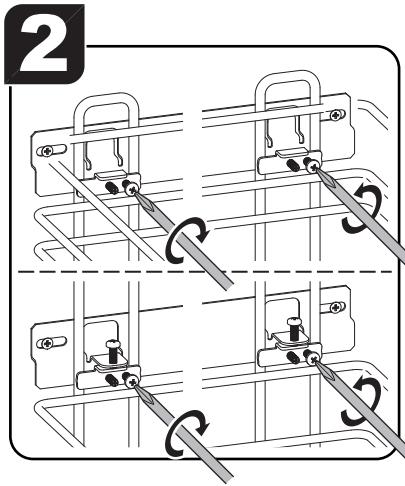
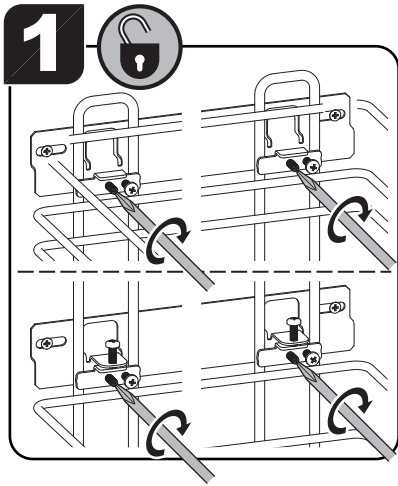
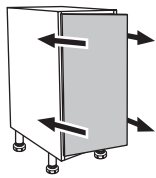
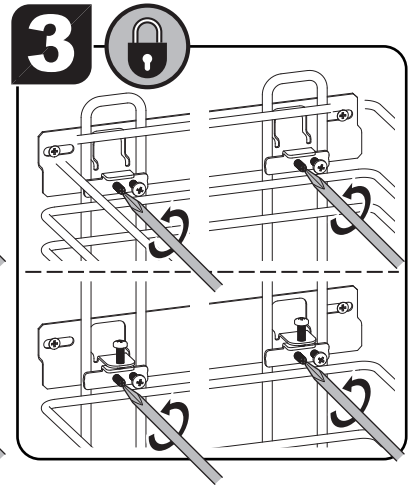
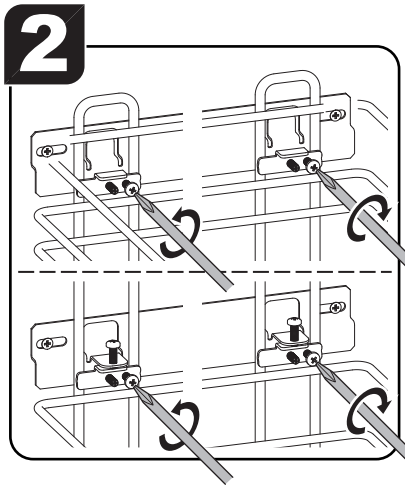
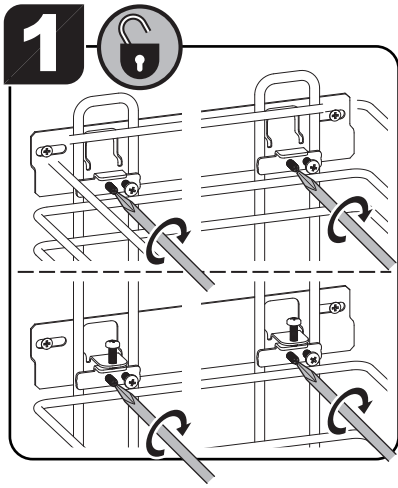
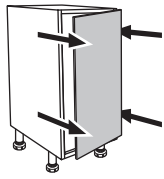


10





10



11

