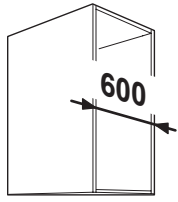
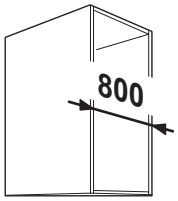


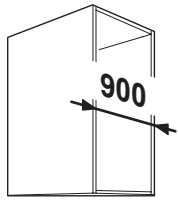
A = 5 kg
MAX



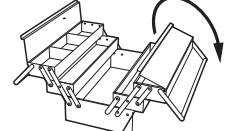
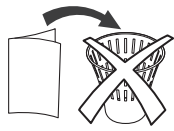
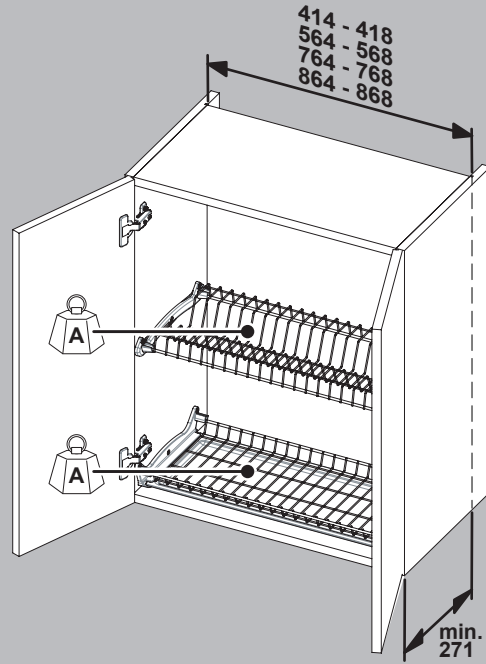
A = 6 kg
MAX



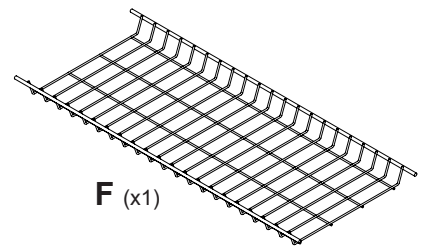
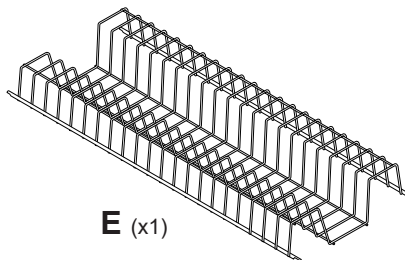
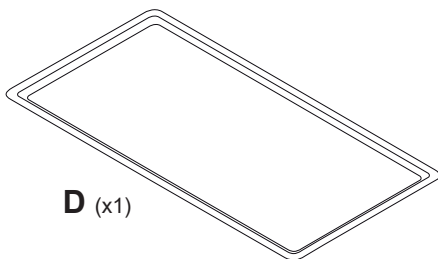
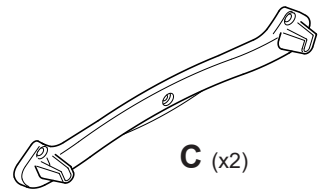
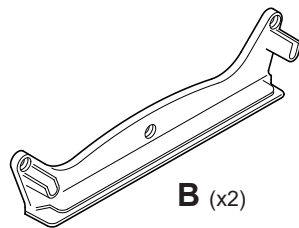
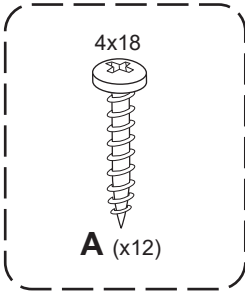
A = 7 kg
MAX



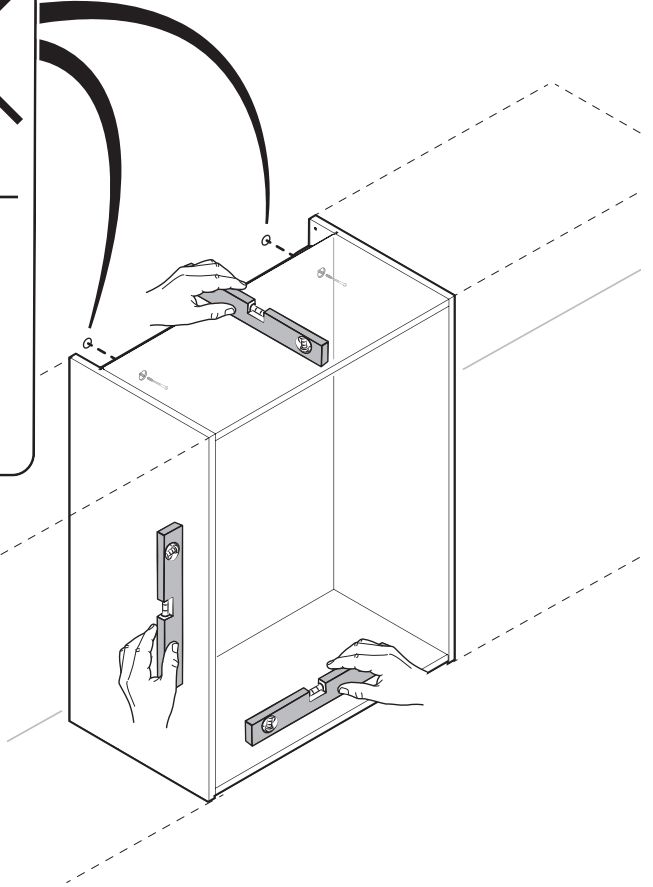
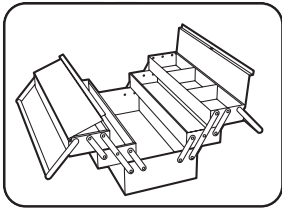
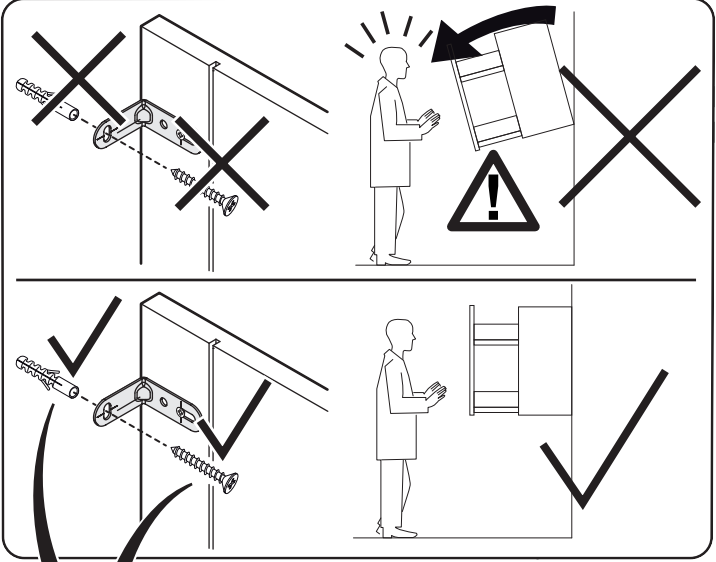
A = 8 kg
MAX



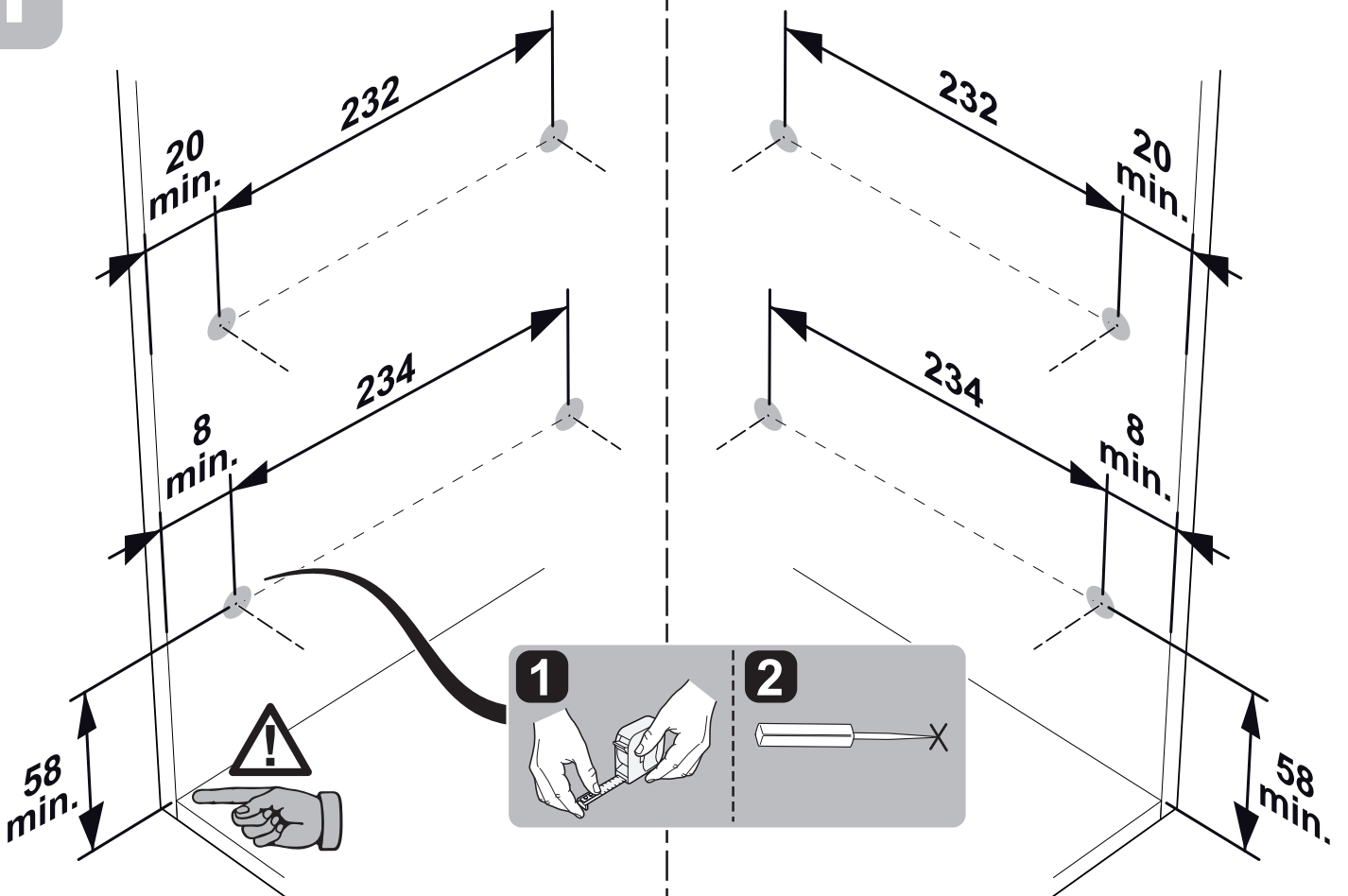
***NOT INCLUDED**



i

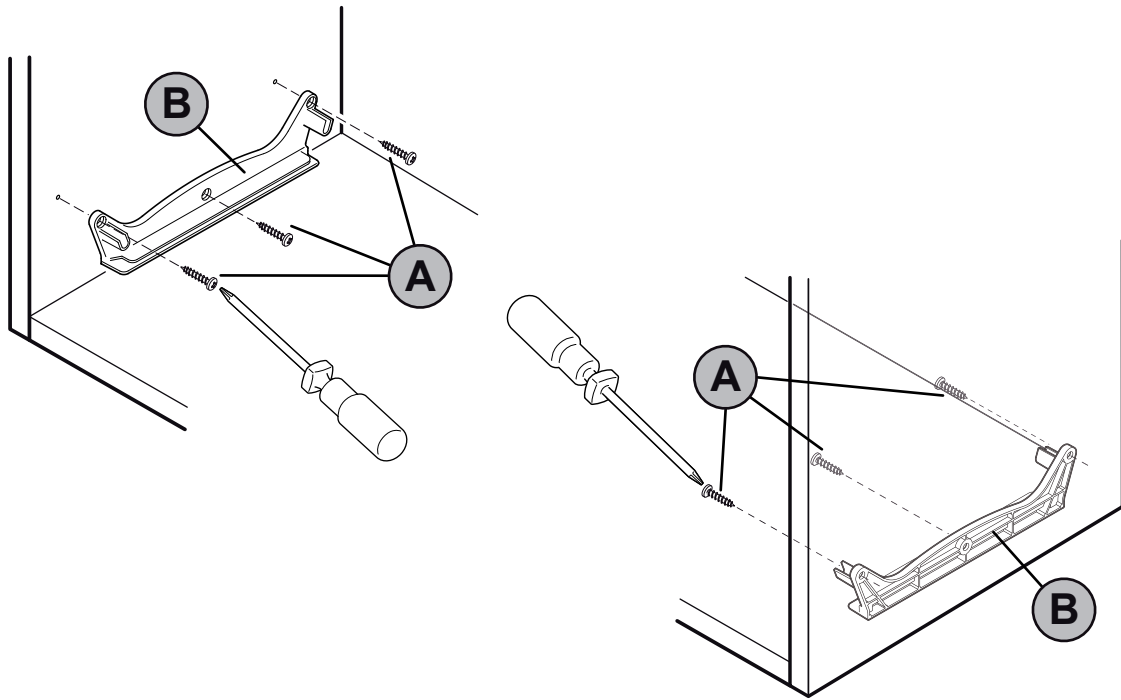


1



2

2



3

